


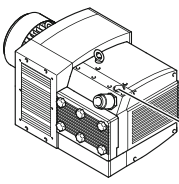







BETRIEBSANLEITUNG  
OPERATING INSTRUCTIONS  
INSTRUCCIONES DE SERVICE  
ISTRUZIONI D'USO  
HANDLEIDING  
INSTRUCCIONES PARA EL MANEJO  
MANUAL DE INSTRUÇÕES  
NAUDOJIMOSI INSTRUKCIJA  
KASUTUSJUHEND  
LIETOŠANAS INSTRUKCIJA  
DRIFTSINSTRUKS  
DRIFTSINSTRUKTIONER  
DRIFTSVEJLEDNING  
INSTRUKCJA OBSŁUGI

KEZELÉSI ÚTMUTATÓ  
NÁVOD K OBSLUZE  
NAVODILO ZA UPORABO  
NÁVOD NA OBSLUHU  
UPUTE ZA RAD  
MANUAL DE OPERATII  
TREORACHA OIBRIÚCHÁIN  
ΟΔΗΓΙΕΣ ΧΡΗΣΗΣ  
EL KITABI  
ИНСТРУКЦИИ ЗА ЕКСПЛОАТАЦИЯ  
ИНСТРУКЦИЯ ПО ЕКСПЛУАТАЦИИ  
取扱説明書  
사용설명서  
使用说明书

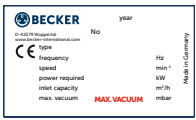
## KVT 3.140

**MAKE IT BECKER.**


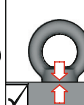


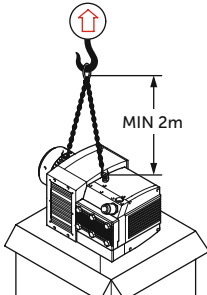


|   |   |   |
|---|---|---|
|   |  |   |
|   |  |   |
|  <p><input checked="" type="checkbox"/> AIR</p>                                    |  |  |
|   |  |  |



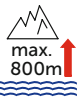
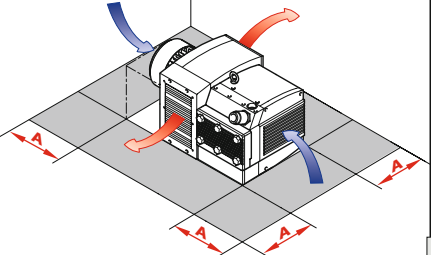
1

|   |   |  |
|---|---|--|
| <p><b>MAX. VACUUM</b></p>   |  | <p>mbar</p>  |
|   | <p><b>MAX.</b></p>  |  |
| <p>DIN EN ISO 11203<br/>Accuracy Class 2<br/>K<sub>pA</sub> = 3 dB(A)<br/>l<sub>pA</sub> = 1m</p> |   | <p>L<sub>pA</sub> = 76 dB(A) - 50Hz<br/>L<sub>pA</sub> = 79 dB(A) - 60Hz</p> |


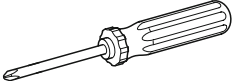

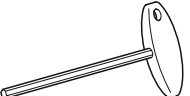

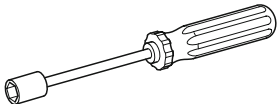
2

|  |   |   |   |
|--|---|---|---|
|   |  |  |  <p>111 kg<br/>245 lbs</p> |
|  |   |   |   |

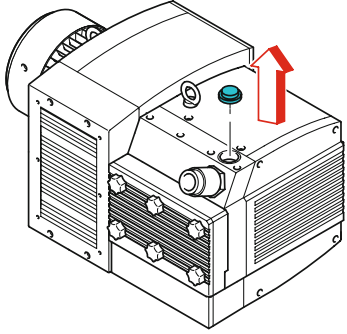
3

|   |  |   |   |
|---|--|---|---|
| <p>A &gt; 100mm<br/>A &gt; 4"</p>   |  <p>&gt; 5°C/41°F<br/>&lt; 45°C/113°F</p> |  <p>max. 90%</p> |  <p>max. 800m</p> |
|  |  |   |   |

4

|   |   |
|---|---|
|  <p>No. 2</p>          |  |
|  <p>5 mm</p>           |  |
|  <p>7 mm<br/>10 mm</p> |  |

5



6

**i+**

**MOTOR-PROTECTION**

=

|             |             |             |             |
|-------------|-------------|-------------|-------------|
| 50Hz        |             | 60Hz        |             |
| XXX / XXX V | XXX / XXX V | XXX / XXX V | XXX / XXX V |
| XXX / XXX A | XXX / XXX A | XXX / XXX A | XXX / XXX A |

SERVICE FACTOR X RATED CURRENT

**7**

**GENERAL**

1) motor protection switch

ON (I) - 1 2 MAX 10x/h

OFF (0) -

**ADDITIONAL**  $M \geq 5.5 \text{ kW}$

**RECOMMENDATION**

**A** **Softstart**

**B**

**OPTIONAL**

PTC

Bi-metal

**8**

**9**

**10**

**VACUUM**

0 2 10 [m]

1 1/2" 2" + 1x

**11**

**i+**

**BECKER** year

D-42279 Wuppertal No

www.becker-international.com

**CE** type

frequency Hz

speed min<sup>-1</sup>

power required kW

inlet capacity m<sup>3</sup>/h

max. vacuum mbar

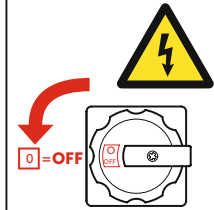
Made in Germany

**12**

Maintenance



13



**n=0min<sup>-1</sup>**



14

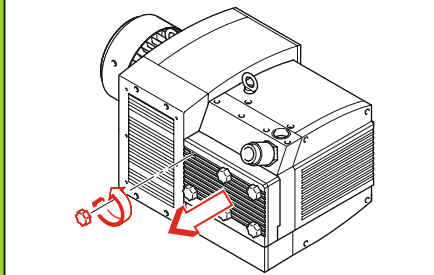
**CLEANING INTERVAL**

SUCTION AIR

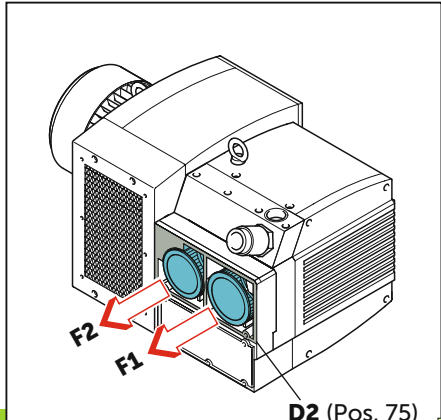
40h

200h

EN149 - FFP3  
42 CFR 84 - N100



15

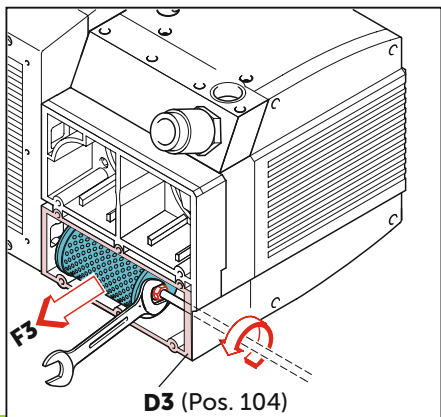


16

optional  
en option  
optionale  
opcional

KVT 3.140/0  
 KVT 3.140/6

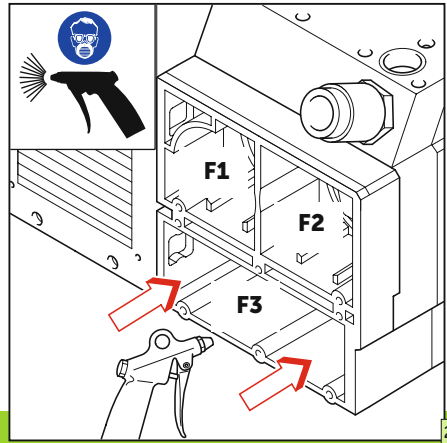
17



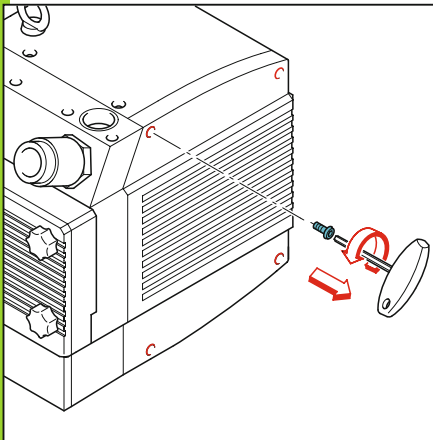
18

|                              |   |                         |
|------------------------------|---|-------------------------|
|                              |   |                         |
| <b>F1 = F2</b><br>(standard) | <b>F2*</b> (polyester)<br>KVT 3.140/6   | <b>F3</b><br>(standard) |
| No.: 909507                  | No.: 909587   | No.: 909514             |
|                              | Satz / Kit<br>Pos.: 20, 24, 62, 75, 76, 85,<br>104, 122, 125, 126, 146<br>No.: 549000 21300 |                         |

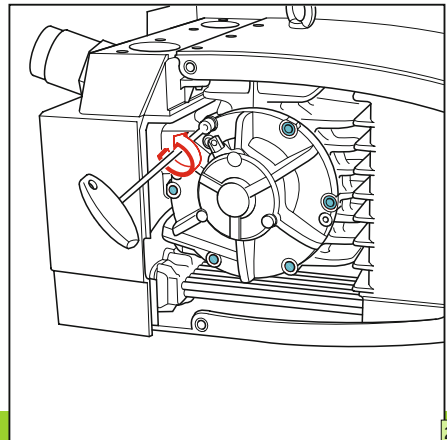
19



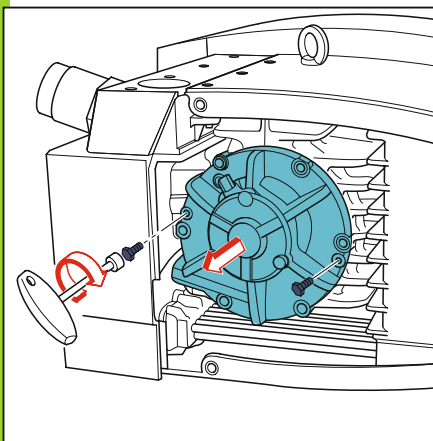
20



21



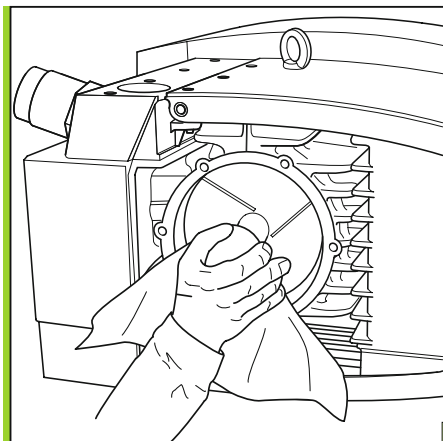
22



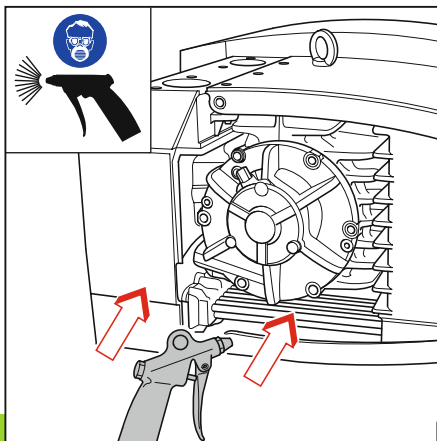
23

|   |                                      |
|---|--------------------------------------|
|   |                                      |
| <b>3000 h</b>   |                                      |
|   | $A_{MAX} = 48mm$<br>$A_{MIN} = 31mm$ |
|   | $A_{MIN} < 31mm$                     |
| KVT 3.140 (standard) → No. 90133400004 (SET)<br>KVT 3.140/6 → No. 90138100004 (SET) |                                      |

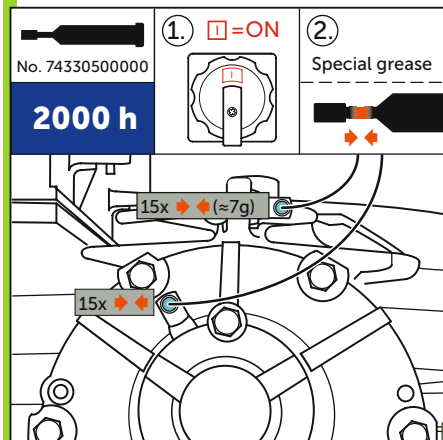
24



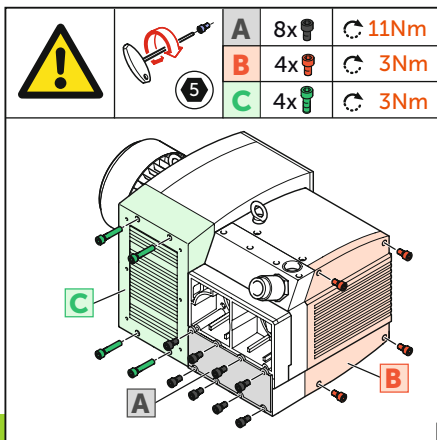
25



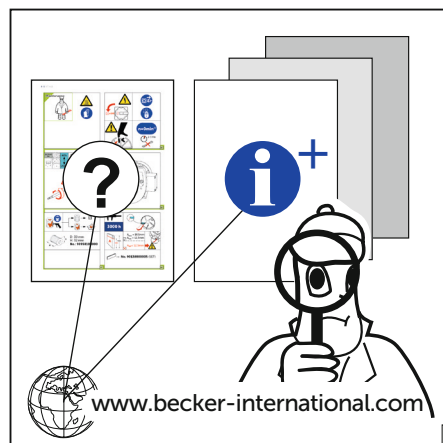
26



27



28



29



[WWW.BECKER-INTERNATIONAL-SHOP.COM](http://WWW.BECKER-INTERNATIONAL-SHOP.COM)

Gebr. Becker GmbH  
Hoelker Feld 29-31  
42279 WUPPERTAL  
GERMANY  
[info@becker-international.com](mailto:info@becker-international.com)  
[www.becker-international.com](http://www.becker-international.com)





**MAKE IT BECKER.**